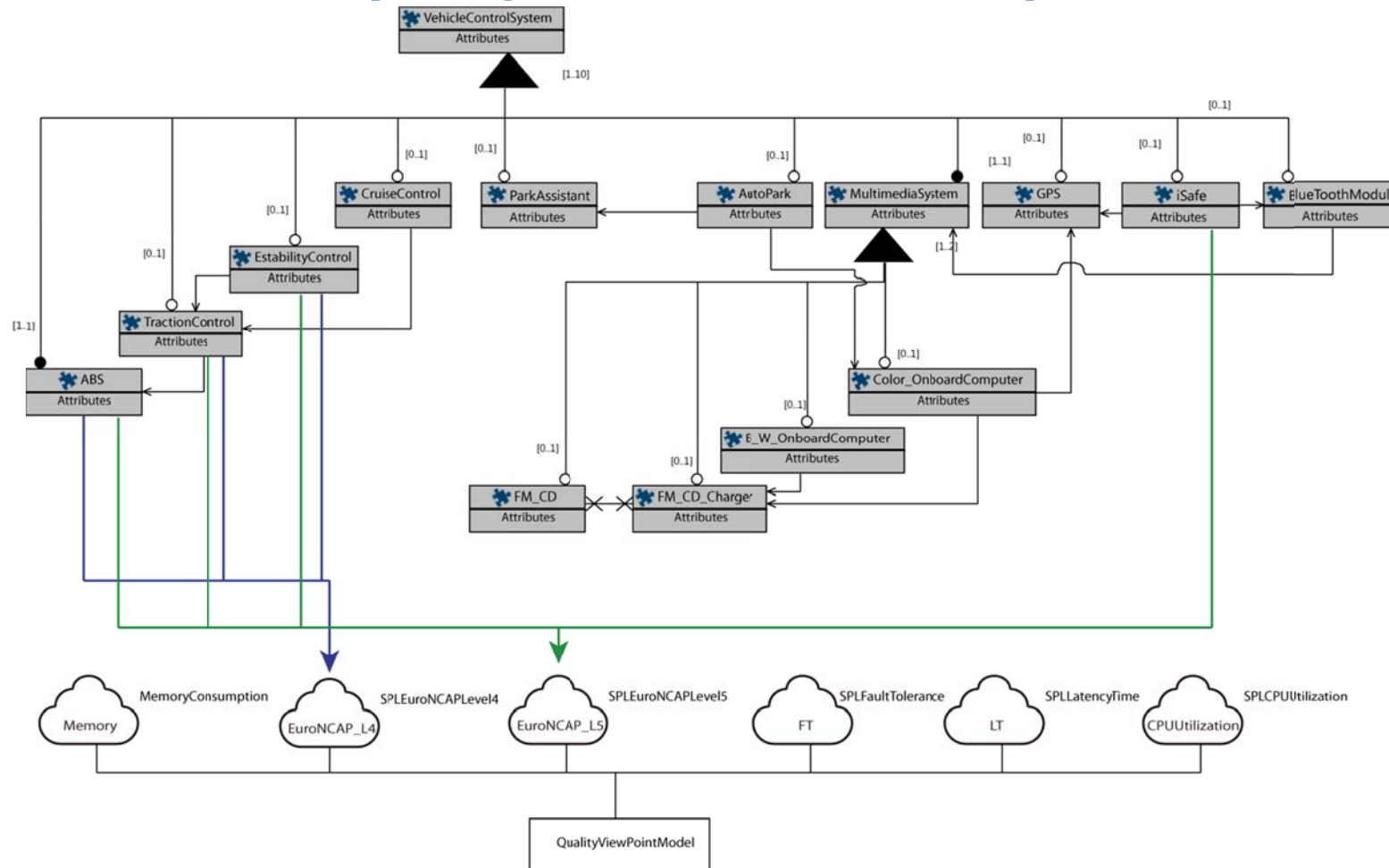
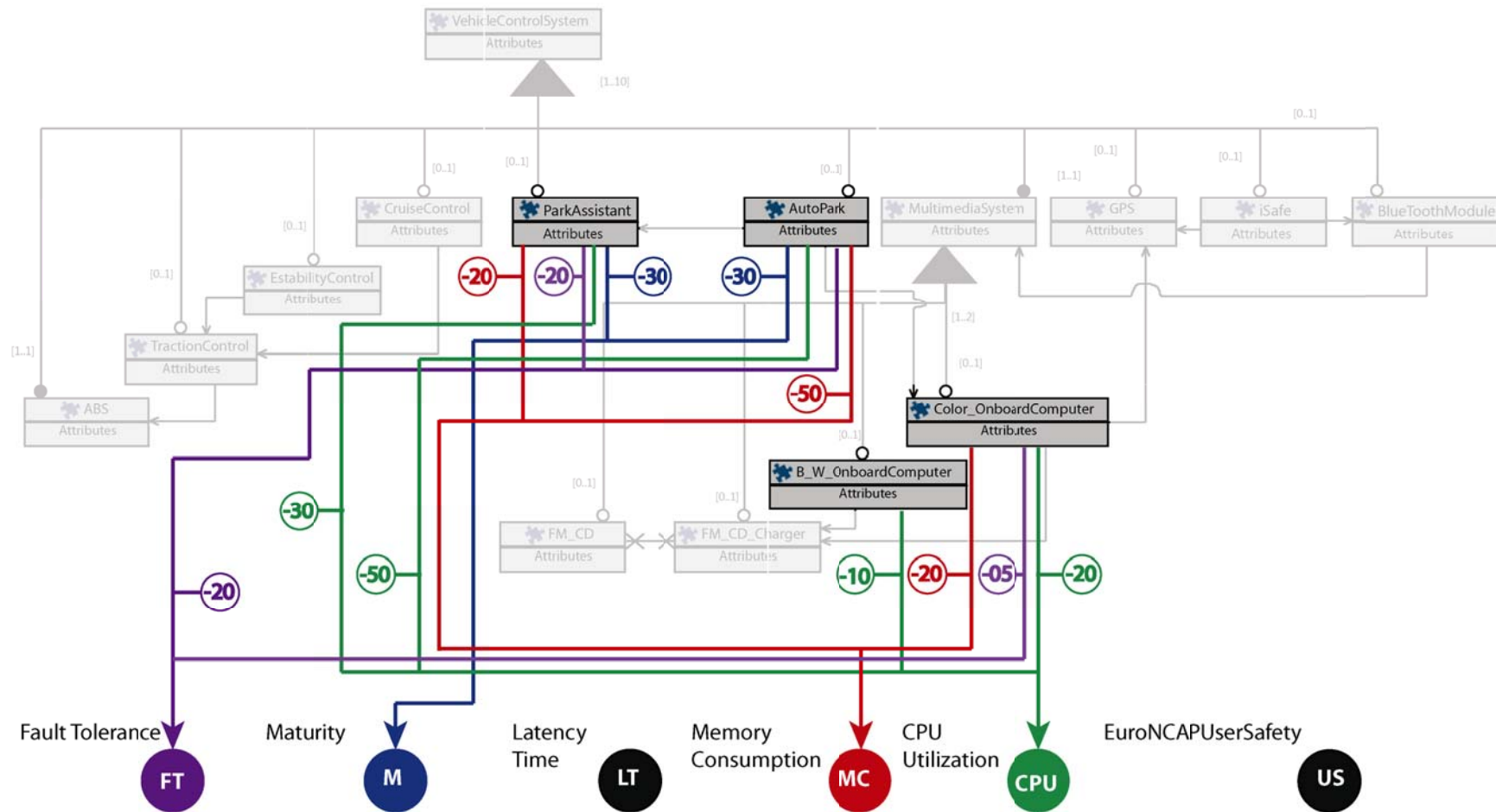


Realization Relationships among Features and Non-Functional Requirements



Impact Relationships among Features and Quality-Attributes



Realization Relationships among Architectural Variability Points and Features

